



YXLON.TU 320-D01

Bipolar Metal-Ceramic X-Ray Tube

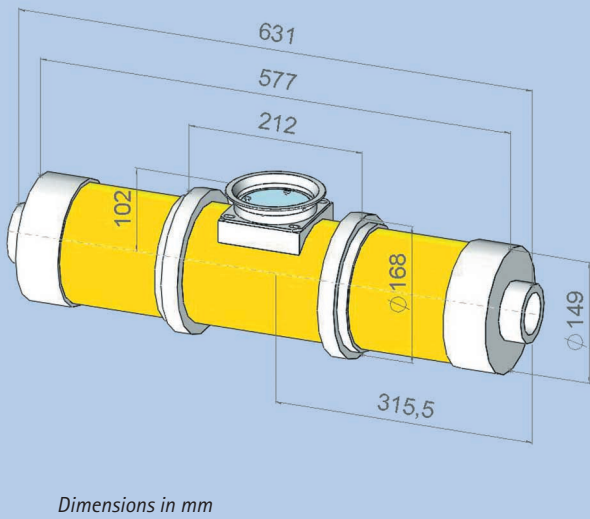
YXLON 320 kV bipolar metal-ceramic X-ray tubes are developed to inspect thick sections of high density material, e.g. iron and steel castings.

Y.TU 320-D01 is especially suited for inspection work in confined spaces. Due to the small focal spot sizes, high quality radiographs can be taken with short film-focus distance.

Providing a high level of mechanical and electrical strength, YXLON X-ray tubes are both compact and lightweight.

Together with the YXLON generators, power supplies and control units, the X-ray tubes form powerful systems, setting the standards in reliability, lifecycle and service.

YXLON. The reason why.



- High Penetration Power
- Long Lifecycle
- High Reliability
- Extensive Service

Y.TU 320-D01

YXLON. The reason why

