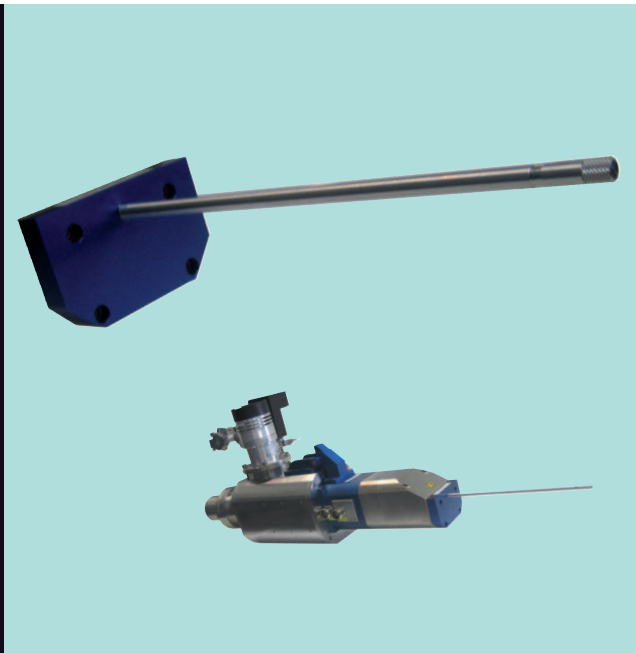


# YXLON Rod Anodes

## Microfocus X-ray systems accessory



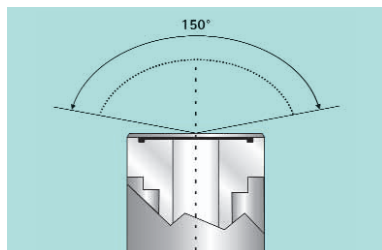
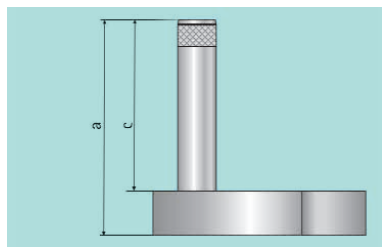
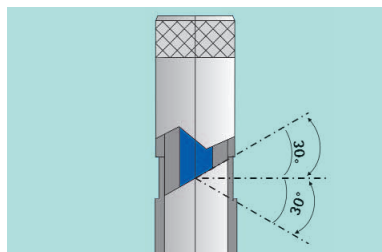
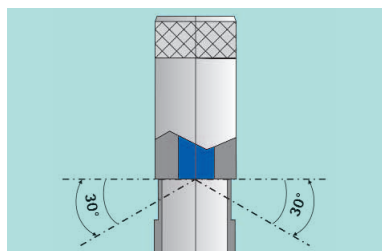
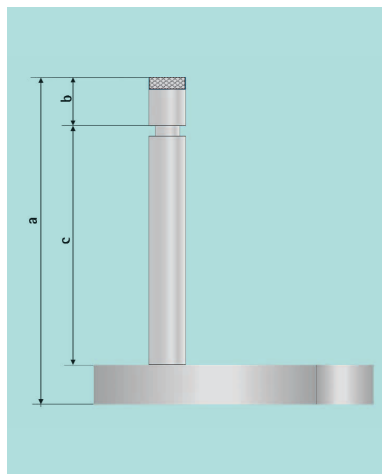
YXLON standard rod anodes complement the high-performance microfocus X-ray tubes of the Feinfocus product family perfectly.

To ensure a wide range of applications, the robust and reliable rod anodes feature exchangeable targets. Additionally, the standardized rod anodes offer different beam characteristics, covering a wide range of radiation power. Even inaccessible areas in engines or welds in pipes and tubes can be inspected fast and easily ensuring excellent X-ray image quality.

Due to the extensive experience of Feinfocus in the development of rod anodes, the mechanical dimensions of the standard rod anodes guarantee that nearly any inspection task can be met.

*YXLON. The reason why.*

- Cutting-edge technology
- Stable dose rate by mechanical design
- Exchangeable targets with different beam characteristics



## Rod anode specification for target type P2 or P3

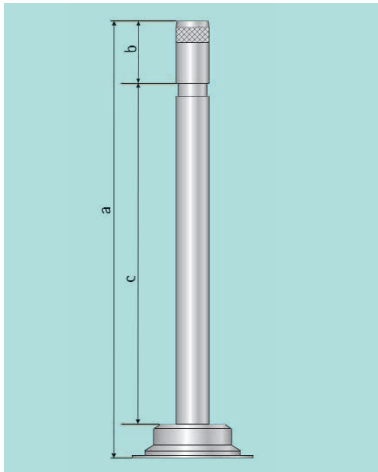
High Tension	up to 225 kV
Diameter in mm (Target power loading)	8 (10 W), 10 (10 W) 15 (15 W), 20 (20 W)
TXI-function	yes
Inherent filter	0.5 mm Aluminium
Length (a/c) in mm	(94/50) (144/100) (194/150) (244/200) (294/250)
Tip-Target level (b) in mm	25
Additional water cooling	no
Additional centering	no
Additional magnetic shielding	no

Target type P2	flat surface -30° cone backwards 360° illumination
Min. Focal spot size	< 25 μm / 7 μm (15°)*
Max. Focal spot size	< 85 μm / 22 μm (15°)*
Accessory for directional tubes	FXE-160.45, FXE-160.48 FXE-225.45, FXE-225.48

Target type P3	tapered surface +/-30° cone 180° illumination
Min. Focal spot size	< 25 μm / 15 μm (0°)*
Max. Focal spot size	< 85 μm / 44 μm (0°)*
Accessory for directional tubes	FXE-160.45, FXE-160.48 FXE-225.45, FXE-225.48

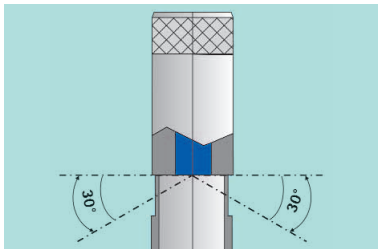
## Rod anode specification for target type P4

High Tension	up to 225 kV
Target power loading	up to 10 W
TXI-function	yes
Diameter in mm	10
Inherent filter	0.25 mm Carbon
Length (a/c) in mm	(18.5/5), (28.5/15) (43.5/30), (58.5/45)
Additional water cooling	no
Additional centering	no
Additional magnetic shielding	no
Min. Focal spot size	< 10 μm*
Max. Focal spot size	< 23 μm*
Target type P4	Transmission 150° cone forwards 360° illumination
Accessory for directional tubes	FXE-160.45, FXE-160.48 FXE-225.45, FXE-225.48

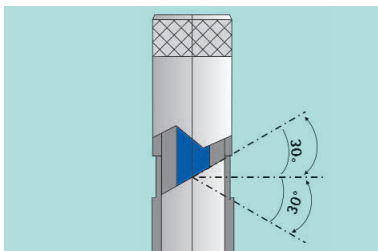


### Rod anode specification for target type P2 or P3

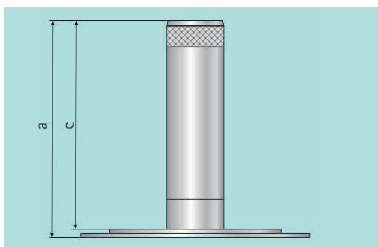
High Tension	up to 225 kV
Diameter in mm (Target power loading)	8 (10 W), 10 (10 W) 15 (15 W), 20 (20 W)
TXI-function	yes
Inherent filter	0.5 mm Aluminium
Length (a/c) in mm	(88.5/50) (138.5/100) (188.5/150) (238.5/200) (288.5/250)
Tip-Target level (b) in mm	25
Additional water cooling	no
Additional centering	no
Additional magnetic shielding	no



Target type P2	flat surface -30° cone backwards 360° illumination
Min. Focal spot size	< 25 μm / 7 μm (15°)*
Max. Focal spot size	< 85 μm / 22 μm (15°)*
Accessory for transmission tubes	FXE-160.50, FXE-160.51 FXE-225.50, FXE-225.51

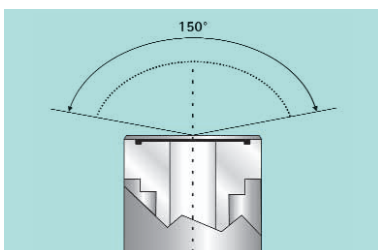


Target type P3	tapered surface +/-30° cone 180° illumination
Min. Focal spot size	< 25 μm / 15 μm (0°)*
Max. Focal spot size	< 85 μm / 44 μm (0°)*
Accessory for transmission tubes	FXE-160.50, FXE-160.51 FXE-225.50, FXE-225.51

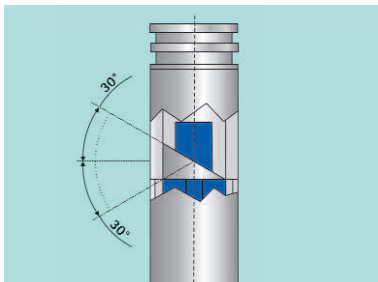
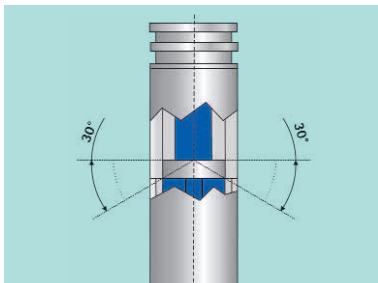
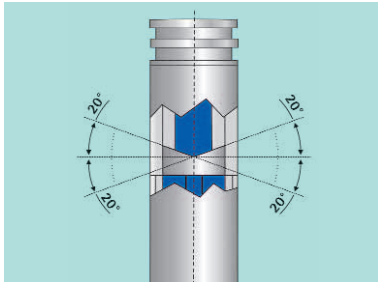
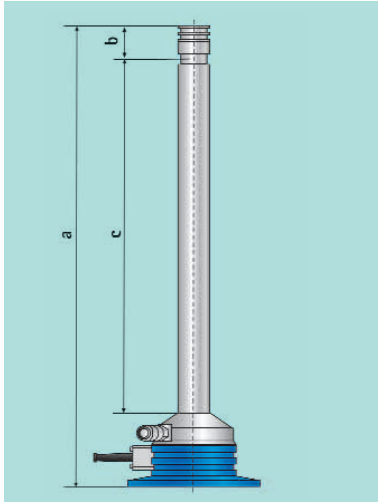


### Rod anode specification for target type P4

High Tension	up to 225 kV
Target power loading	up to 10 W
TXI-function	yes
Diameter in mm	10
Inherent filter	0.25 mm Carbon
Length (a/c) in mm	(12/10), (22/20) (37/35), (52/50)
Additional water cooling	no
Additional centering	no
Additional magnetic shielding	no
Focal spot size	< 6 μm*



Target type P4	Transmission 150° cone forwards 360° illumination
Accessory for transmission tubes	FXE-160.50, FXE-160.51 FXE-225.50, FXE-225.51



### Rod anode specification for target type P1, P2 or P3

High Tension	up to 225 kV
TXI-function	no
Diameter	15 mm
Inherent filter	0.9 mm Aluminium 1.5 mm cooling liquid
Diameter	25 mm
Inherent filter	1.1 mm Aluminium 2.0 mm cooling liquid
Length (a/c) in mm	(339.5/250) (439.5/350) (539.5/450)
Tip-Target level (b) in mm	25
Water cooling	yes
Centering	yes

Additional magnetic shielding	on request
Target type P1	cone surface +/- 20° cone 360° illumination
Min. Focal spot size	< 100 µm*
Max. Focal spot size	< 160 µm*
Accessory for directional tubes	FXE-160.SA FXE-225.SA

Additional magnetic shielding	on request
Target type P2	flat surface -30° cone backwards; 360° illumination
Min. Focal spot size	< 100 µm*
Max. Focal spot size	< 160 µm*
Accessory for directional tubes	FXE-160.SA FXE-225.SA

Additional magnetic shielding	on request
Target type P3	tapered surface +/- 30° cone 180° illumination
Min. Focal spot size	< 100 µm*
Max. Focal spot size	< 160 µm*
Accessory for directional tubes	FXE-160.SA FXE-225.SA

\* Focal spot size is depending on the high tension and the target power loading