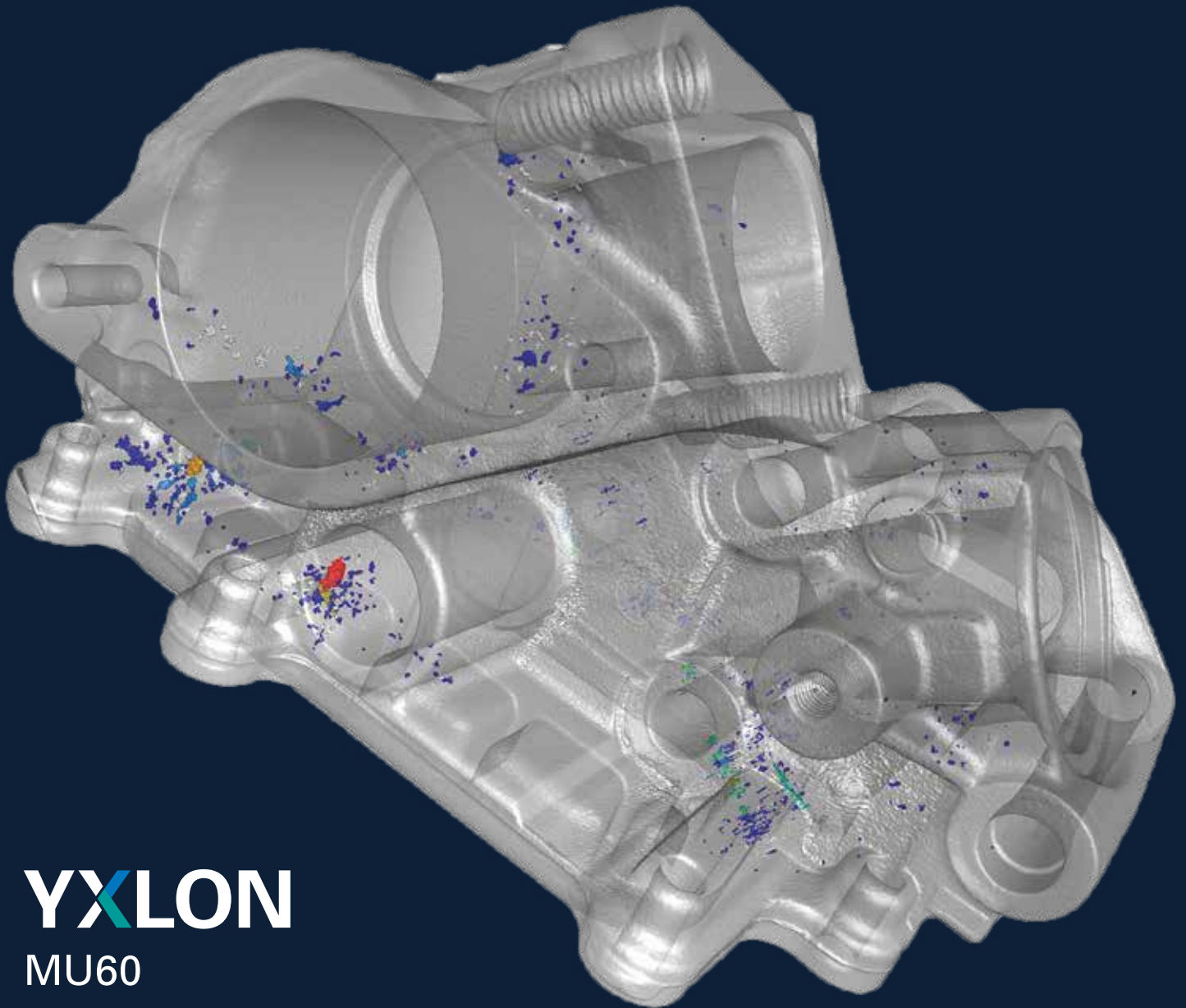
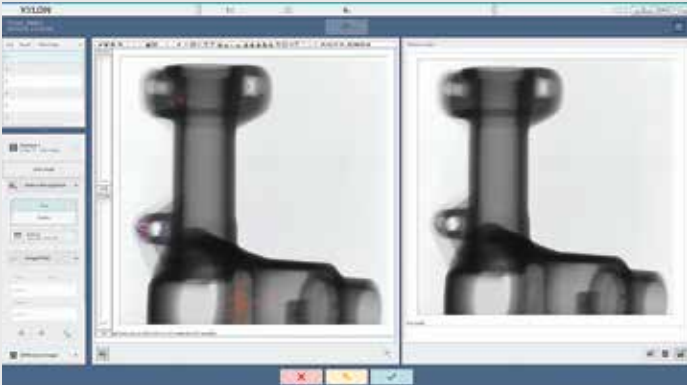
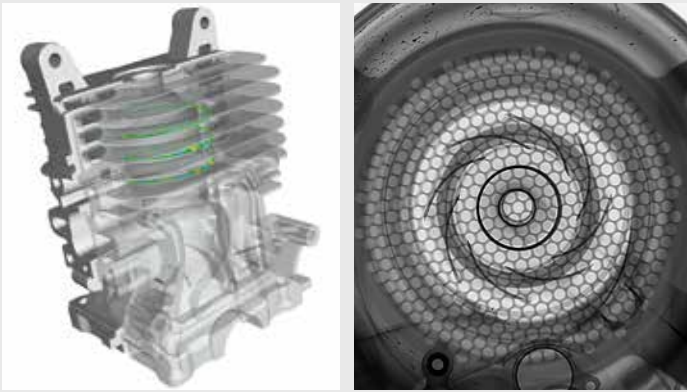


PLACE YOUR TRUST IN DEPENDABLE X-RAY AND CT INSPECTION RESULTS

Are you working in aerospace and need a flexible system to inspect safety-critical components?
Are you in the automotive or aerospace foundry industry and want to test key cast parts?
The YXLON MU60 X-ray system provides intelligent workflow for sample evaluation,
batch processing and series inspection with automatic defect recognition. Make use of
three-dimensional computed tomography for in-depth analyses.



YXLON
MU60



THE SYSTEM

- Analysis of safety-critical and structural cast parts, e.g. in aviation and automotive
- Brilliant image quality for reliable inspection results
- 2D X-ray and 3D CT inspection
- Fully automatic workflows and operator assistance with powerful defect recognition algorithms
- User-friendly operation with advanced software tools and optional review station
- Networked system for continuous system availability and maximized data security
- Compliance with current aerospace industry standards such as DICONDE, ASTM, MAI, and Nadcap

TYPICAL APPLICATIONS

- Detection of defects like discontinuities and cracks
- Measurements of wall thicknesses and target/actual comparisons
- Analysis of porosity and inclusions

TYPICAL ITEMS TO BE INSPECTED WITH MU60:

- Safety-critical parts
- Structural cast parts
- Turbine blades
- Tube pipes
- Ducts
- Welds
- Light-metal cast parts
- High-density cast parts, e.g. nickel-based alloys
- Synthetic materials, e.g. plastics
- Additively manufactured cast parts

Long-term archiving, statistics, and queries of digital images and data across different sites are essential for global operations. With an archive navigator and Microsoft Office integration you can conveniently share inspection information and archive the complete life cycle of each component including all repairs.

YXLON

YXLON International GmbH
 Essener Bogen 15
 22419 Hamburg, Germany
 T: +49 40 527 29-0
 www.yxlon.com